

FILTERLESS (FL) SERIES

VERSATILE LOADING FOR MID TO LARGE THROUGHPUT



Model FL-10
direct feed
with UTB

Model FL-20
hopper loading
with optional ELC-16
control

Pellets. Virgin-regrind mixes. Dusty, problem materials. Coarse powders. Conair FilterLess vacuum receivers can handle the job.

The FilterLess vacuum has the ability to convey dusty materials and free-flowing powder larger than 100 microns in diameter. Each FilterLess receiver has a patented “filterless insert” that uses continuous reversal of vacuum air to separate incoming material from conveying air without filters or screens. The process provides dramatic air/material separation without relying on filtration.

NO FILTER, NO SCREEN, TWIN-CYCLONE ACTION

Twin cyclone action allows FilterLess receivers to efficiently load materials without filter blinding or abrasion. The tangential material inlet provides smooth material entry, decreasing material fracturing and dust.

Available in both hopper loading and direct feed models, the FilterLess can supply hoppers and surge bins or feed directly to a processing machine throat.

Hopper loaders incorporate the demand level switch in the discharge valve. The positive discharge option provides an air driven discharge valve with a rotary demand switch.

Direct feed configurations include a choice of glass hopper sizes, equipped with a capacitive demand sensor. An isolator valve option may be included when an airtight seal at the base of the loader cannot be assured. The isolator valve may also provide demand sensing.

Fill sensors are provided to terminate the fill cycle and can also provide a no material alarm output.

■ Choice of discharge

Gravity discharge with integral demand switch; air-driven positive discharge with a rotating level sensor or a direct feed glass hopper with level sensor.

■ Thick-wall, steel construction

Cyclone receivers are precision-engineered, in carbon steel or stainless steel.

■ Built-in vacuum sequencing valve

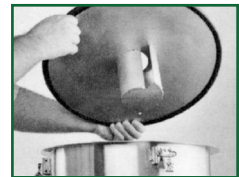
No need for extra wiring or plumbing.

■ Choice of control

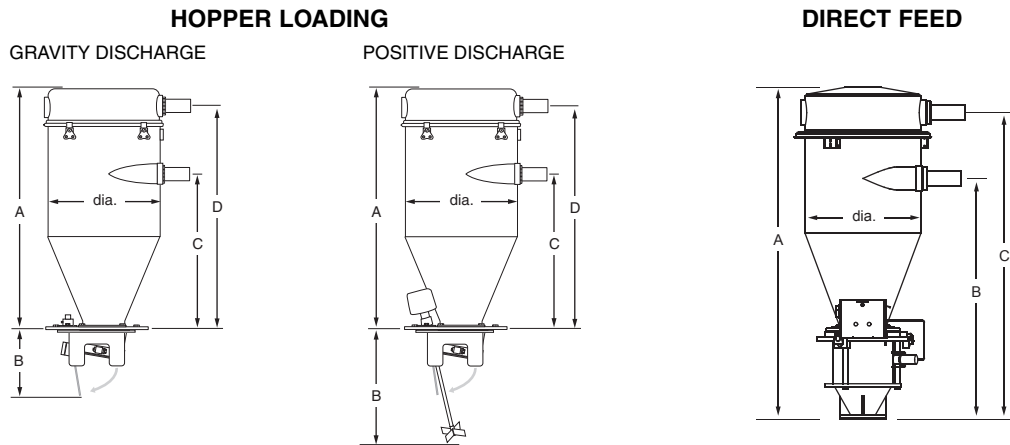
Select either the universal terminal box (UTB) or the new ELC loading control for your receiver. The standard UTB works with B-32, IL-64 or ILS central loading controls. The optional ELC control is a stand-alone loading control based on a receiver integrated CAN open network. *See the Easy Loading Control (ELC) specification sheet for more information.*

■ Simple, no-tools clean out

Material changes are fast and easy with quick-release latches on the receiver lid, and the drop-in filterless insert. No filters, no screens.

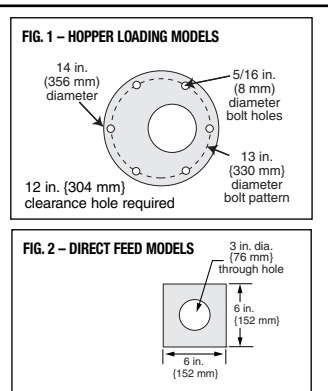


**FILTERLESS (FL)
HOPPER LOADING AND DIRECT FEED MODELS**



FL Series Vacuum Receivers

Receiver model	FL10	FL15	FL20	FL24
Receiver diameter inches {mm}	10 {254}	15 {381}	20 {508}	24 {610}
Receiver volume ft ³ {liters}	0.28 {7.9}	1 {28.3}	2.3 {65.1}	4 {113.3}
Material/Vacuum line size range inches {mm}*	1.5-2 {38-51}	1.5-2.5 {38-64}	2.25-3 {57-76}	2.5-4 {64-102}
Available voltages (outputs)	120 VAC, 24 VAC and 24 VDC			
Compressed air requirements	Intermittent duty: 1 ft ³ /min. @ 80 psi {28.3 liters/min. @ 5.51 bars} NPT fitting: 3/8 in.			



Hopper Loading Configuration

Receiver model	FL10	FL15	FL20	FL24
Dimensions inches {mm}				
A - Height above mounting plate	20.5 {521}	32.75 {832}	45.25 {1150}	57.0 {1450}
B - Depth below mounting plate	8.375 {213}	8.375 {213}	9.5 {241}	9.5 {241}
with positive discharge	16.0 {406}	16.0 {406}	16.0 {406}	16.0 {406}
C - Height to center of material inlet	10.5 {267}	21.25 {540}	28.5 {724}	37.0 {940}
D - Height to center of vacuum outlet	19.25 {489}	30.5 {775}	42.5 {1080}	52.5 {1334}
Mounting details Fig. 1				
Installed weight lb {kg}	40 {18}	58 {26}	92 {42}	126 {57}
Shipping weight lb {kg}	120 {54}	170 {77}	200 {91}	260 {118}

Direct Feed Configuration (glass hopper)

Receiver model	FL10			FL15		
Viewing chamber model	4 lb	15 lb	25 lb	4 lb	15 lb	25 lb
Viewing chamber capacity lb {kg}†	4 {1.81}	15 {6.8}	25 {11.3}	4 {1.81}	15 {6.8}	25 {11.3}
with isolator valve†	3 {1.36}	11 {4.98}	21 {9.52}	3 {1.36}	11 {4.98}	21 {9.52}
Dimensions inches {mm}						
A - Height above mounting plate	32.3 {820.4}	37.8 {960.1}	49.8 {1265}	44.5 {1130}	50.0 {1270}	62.0 {1575}
B - Height to center of material inlet	20.9 {530.9}	28.3 {718.8}	40.3 {1024}	31.7 {805.2}	39.1 {993.1}	51.1 {1298}
C - Height to center of vacuum outlet	29.7 {754.4}	37.1 {942.3}	49.1 {1247}	40.9 {1038.9}	48.3 {1226.8}	60.3 {1532}
Add for isolator valve	2.25 {57}					
Mounting details Fig. 2						
Installed weight lb {kg}	40 {18}	55 {25}	113 {51}	58 {26}	85 {39}	143 {65}
Shipping weight lb {kg}	68 {31}	83 {38}	143 {65}	90 {41}	119 {54}	179 {81}

SPECIFICATION NOTES:
 * Outside diameter
 † At 35 lbs. per cu. ft.
 Specifications can change without notice. Contact your Conair representative for the most current information.

