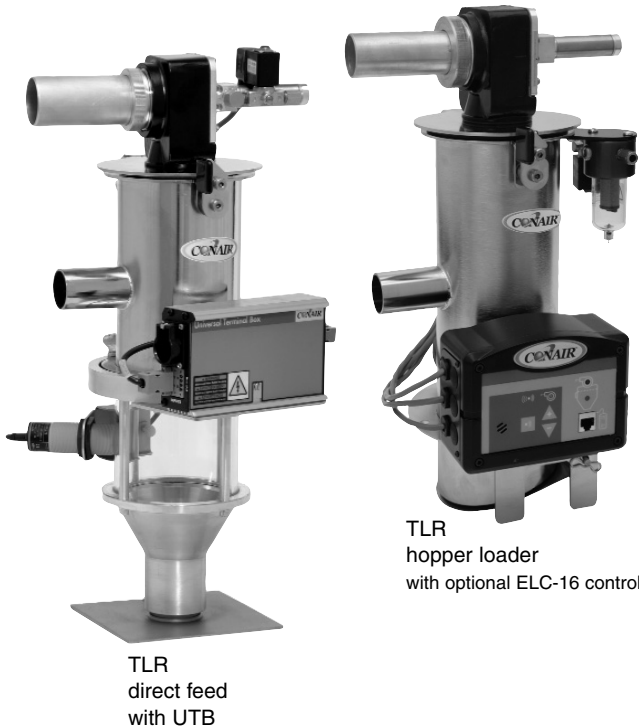


TLR MODEL TUBE LOADER



TLR
direct feed
with UTB

TLR
hopper loader
with optional ELC-16 control

COMPACT RECEIVERS FOR PELLETS AND REGRIND

The compact TLR model tube loader provides trouble-free material transfer within a central vacuum system. The exclusive, 4.5 inch diameter tube body means that materials will always flow easily from the receiver without bridging. The hinged lid is equipped with a compact vacuum sequencing valve and allows easy, no-tools servicing of the oversized, drop-in, 20 mesh stainless steel filter.

Any TLR may be easily equipped for ratio loading of two materials by the simple addition of a compact ratio valve on the material inlet tube.

MODULAR, ECONOMICAL, ALL-STAINLESS RECEIVERS

The TLR is available in two configurations. The hopper loading version fits directly on top of a bin or drying hopper, or any other type of vessel. Its wide discharge valve incorporates a demand switch allowing the TLR to automatically keep the receiving bin full (also available with a remote demand sensor).

The direct feed version is equipped with a 1 or 2 lb. glass hopper and couples easily to your processing machine throat. If the machine throat is not vacuum-tight an optional isolator valve may be added. The demand sensor may be shot-size adjusted up and down the glass hopper.

The drop-in screen filter module provides more than 40 square inches of 20 mesh filter area for efficient air/material separation.

■ Modular, easy cleaning

All chambers come apart without tools for easy access, material changes and cleaning.

■ Compact, attractive

The 4.5 inch diameter receiver sports an electro-polished stainless steel finish that will compliment any facility while requiring almost no maintenance.

■ Versatile use

Available in both hopper loading and direct throat feeding versions, the TLR may also be equipped with a compact ratio valve.

■ Easy access-hinged lid

No-tools, swing clip opens easily for maintenance.

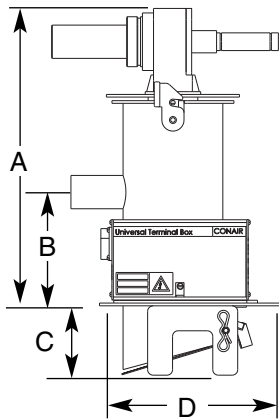


■ Choice of control

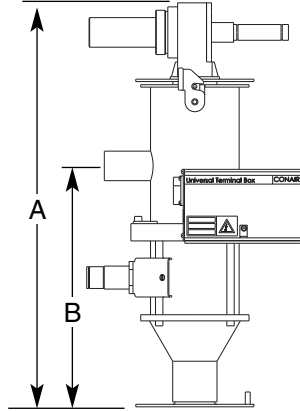
Select either the universal terminal box (UTB) or the new ELC loading control for your receiver. The standard UTB works with B-32, IL-64 or ILS central loading controls. The optional ELC control is a stand-alone loading control based on a receiver integrated CAN open network. *See the Easy Loading Control (ELC) specification sheet for more information.*

TLR MODEL TUBE LOADER

Hopper loading



Direct feed



Conair's exclusive Universal Terminal Box (UTB) allows modular, plug-in options, and the TLR may be readily connected to any central or remote vacuum system with a single, electrical connector.

Loader model	TLR
Loader diameter inches (mm)	4.5 {114}
Loader volume ft ³ {liters}	0.1 {4.0}
Material line size inches (mm) OD	1.5 {38.1}
Vacuum line size inches (mm) OD	1.5 - 2.0 {38.1 - 50.8}
Available voltages, 50/60 Hz	120/24 VAC/24VDC
Compressed air requirements	90 maximum psi, 1.4 CFM, NPT fitting: 1/4 inch
Filter area in ² {cm ² }	36.0 {232.3}
Filter type	20 mesh stainless steel

Hopper Loading Model

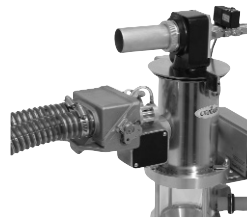
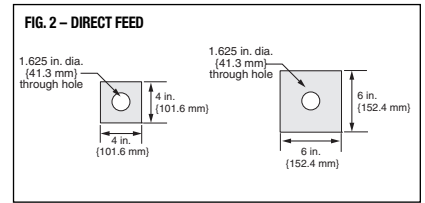
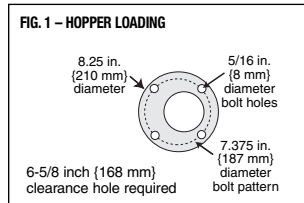
Loader model	TLR
Dimensions inches (mm)	
A - Height above mounting plate	13.5 {343}
B - Height to center of material inlet	5.0 {127}
C - Depth below mounting plate	4.0 {102}
D - Clearance hole diameter	6-5/8 {168}
Mounting details	Fig. 1
Installed weight lb {kg}	12 {5.4}
Shipping weight lb {kg}	24 {10.9}

Direct Feed Model (glass hopper)

Loader model	TLR	
Viewing chamber model	1 lb	2 lb
Viewing chamber capacity lb {kg}	1 {0.45}	2 {0.91}
Dimensions inches (mm)		
A - Height above mounting plate	20.5 {521}	25.75 {654}
B - Height to center of material inlet	12.25 {311}	17.50 {445}
Mounting details	Fig. 2	
Installed weight lb {kg}	15 {6.8}	17 {7.7}
Shipping weight lb {kg}	24 {10.9}	26 {11.8}

SPECIFICATION NOTES:

Specifications may change without notice. Check with a Conair representative for the most current information.



The compact ratio (shown) and common line valves mount directly on the TLR or remotely mounted. Both open easily with no tools for complete, easy cleanout.



For direct feed TLR's mounted on machine throats that are not vacuum tight, the isolator valve option assures a good vacuum seal.

The vacuum sequencing valve may be rotated any direction for easy vacuum hose routing.