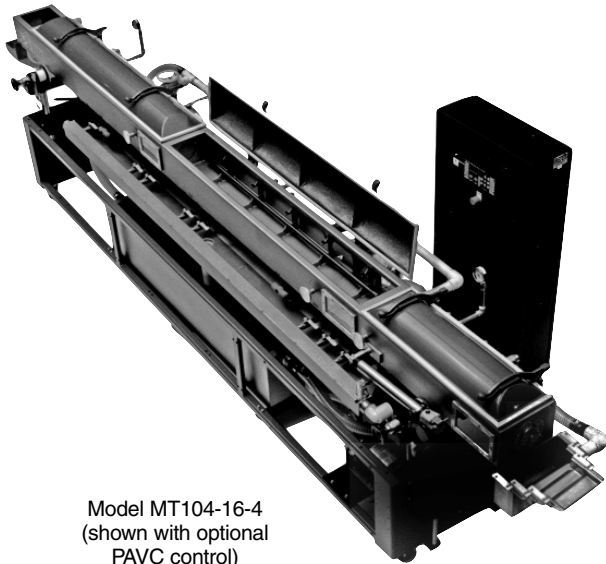


MT VACUUM SIZING TANKS



Model MT104-16-4
(shown with optional
PAVC control)

PRECISELY SIZE SMALL TO LARGE TUBE AND PROFILE

MT Vacuum Sizing Tanks provide stable vacuum for precise sizing of tube and profile extrusions up to 8.625 inches {219.1 mm} in diameter. Water/air separation technology improves product tolerances and surface finishes; allows for repeatable quality and minimizes scrap.

All models offer a high-efficiency plate heat exchanger; an improved spray bar and water level adjustment system; and a wide range of tank sizes and pump configurations. Manual motor starters are standard.

WATER/AIR SEPARATION ENSURES VACUUM STABILITY

Most vacuum sizing tanks use a single standpipe to maintain water levels and pull vacuum into the chamber. Pockets of water and air surging through the same line can cause a hammer effect and vacuum fluctuations that can harm the shape and surface finish of the product.

MT sizing tanks eliminate this problem by using separate water and air pipes that lead to a closed water reservoir. Float valves in the reservoir maintain the water level below the vacuum pump inlet. The vacuum pump evacuates only the air in the reservoir, never the water, allowing optimum pump performance and minimizing surges in vacuum level.

■ Easy to operate

Built-in water-manifold system with water and vacuum valves dedicated to each vacuum chamber. Quick dump valves for draining the tank. Optional digital control offers automatic vacuum adjustment and in-line gauge or computer interface.

■ Improved tank stability

Redesigned to handle heavier pulling forces. Roller system eliminates tank rock. Heavy-duty shafts and bearings provide precise yet rigid longitudinal, vertical and side-to-side adjustment capabilities.

■ Stainless steel components

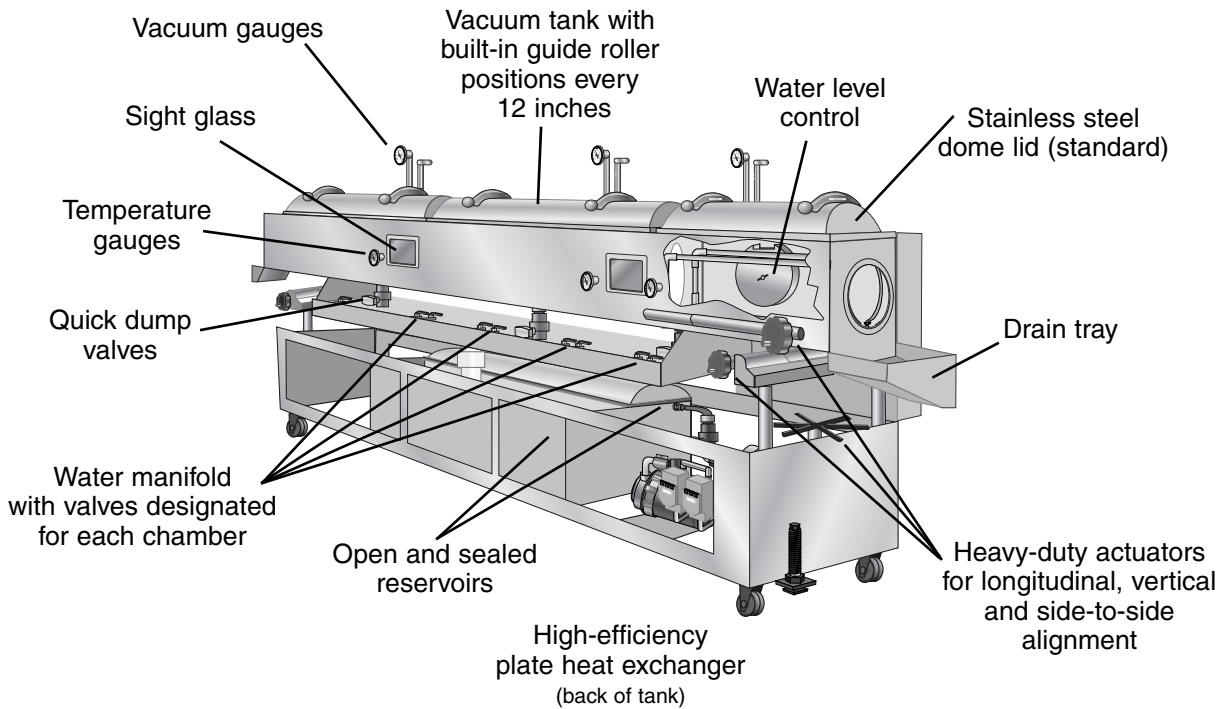
The vacuum tank, water reservoirs, splash tray, drip trays and dome lid are stainless steel. Other surfaces are painted for corrosion resistance.

■ Tank lengths of 7 to 23 feet

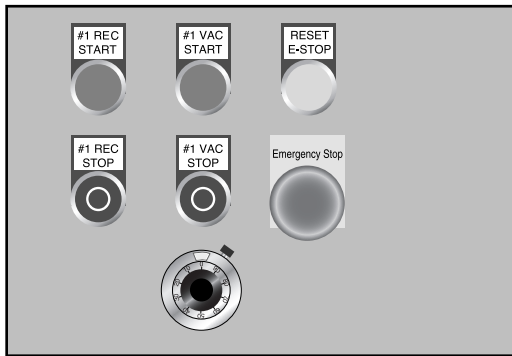
Wide range of sizes, from a 7-foot, 2-chamber tank to the 23-foot, 5 chamber tanks.

FEATURES

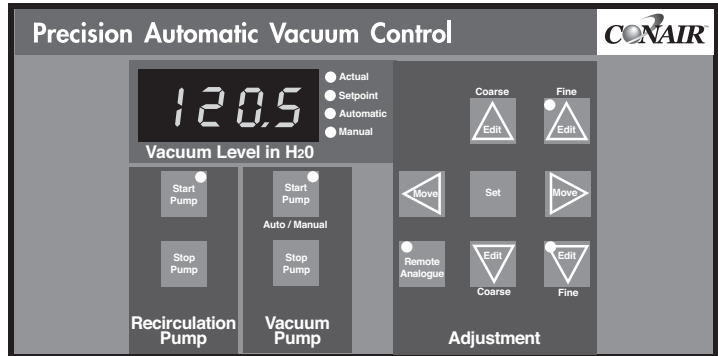
MT VACUUM SIZING TANKS



OPTION CONTROLS



Optional Potentiometer Control
 This potentiometer control provides push buttons to start and stop the vacuum blower and the water recirculation pump. Vacuum levels are adjusted using a 10-turn potentiometer, which controls the RPMs of the vacuum blower.



Optional Digital Control
 The Precision Automatic Vacuum Control (PAVC) provides manual or automatic control of the vacuum system. Using a PID program and built-in vacuum transducer, the PAVC controls the vacuum level to the setpoint entered.

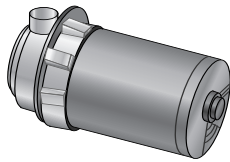
The PAVC can be connected to an in-line product gauge for automatic adjustment of the vacuum setpoint. The PAVC also has a serial port for data acquisition or remote control.

A remote digital potentiometer is available only with the addition of this option.



MT VACUUM SIZING TANKS

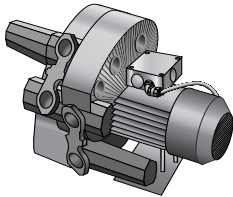
OPTION AVAILABILITY BY MODEL						● Standard	○ Optional	— Not Available		
OPTIONS	WATER PUMPS			VACUUM PUMP		AIR WIPE COMPARTMENT	WATER FLOW METERS	GLASS LIDS	TELESCOPING DRAIN TRAY	FLIP-UP ROLLERS
	2 HP	5 HP	7.5 HP	1.7 HP	5 HP					
MT104-7-2	●	—	—	●	—	○	○	○	○	○
MT104-10-3	●	—	—	●	—	○	○	○	○	○
MT104-13-3	●	—	—	●	—	○	○	○	○	○
MT104-16-4	●	—	—	●	—	○	○	○	○	○
MT104-22-5	●	—	—	●	—	○	○	○	○	○
MT105-7-2	●	—	—	●	—	○	○	○	○	○
MT105-10-3	●	—	—	●	—	○	○	○	○	○
MT105-16-4	●	○	—	●	○	○	○	○	○	○
MT105-22-5	●	○	○	●	○	○	○	○	○	○
MT107-17-4	●	○	—	—	●	○	○	—	—	—
MT107-23-5	●	○	○	—	●	○	○	—	—	—
MT109-17-4	●	○	—	—	●	○	○	—	—	—
MT109-23-5	●	○	○	—	●	○	○	—	—	—



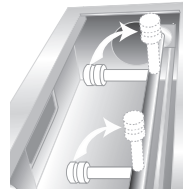
5 or 7.5 Hp water pump for processing thick-walled products or high-speed lines that require greater water flow.
 2 Hp = 40 gpm @ 50 psi
 5 Hp = 100 gpm @ 45 psi
 7.5 Hp = 180 gpm @ 50 psi



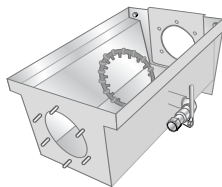
Flow meters on the water valves in each chamber.



5 Hp vacuum pump for processes that require vacuum pressures up to 200 inches of water (14.7 inches of mercury) and cfm rates up to 150 for producing larger tubes and profiles. This pump is standard on MT107 and MT109 models with 17-foot and 23-foot tanks.



Flip-up immersion rollers for holding the plastic product above or below the water in the sizing tank.

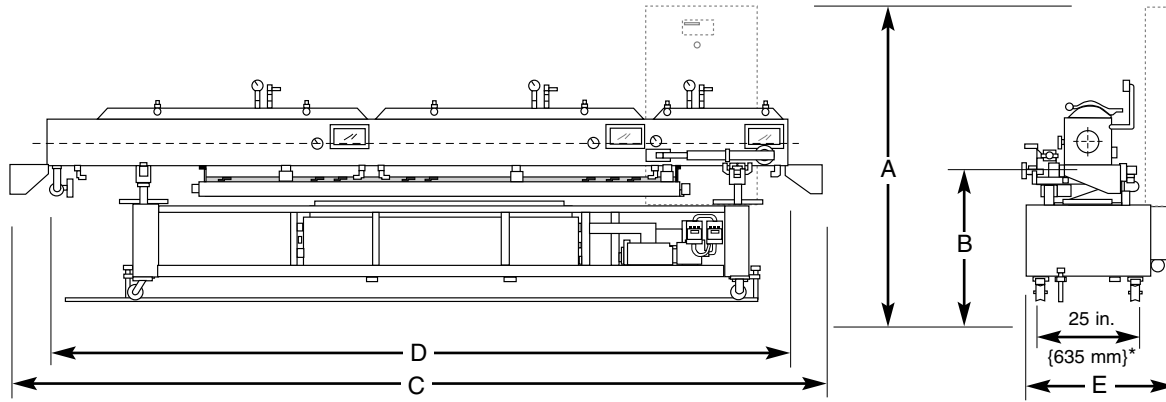


Bolt-on air wipe compartment for drying the plastic product as it leaves the sizing tank. The air-wipe requires compressed air supplied at up to 80 psi.

Glass lids to view the product as it goes through the process. Glass lids may not be used on units that have vacuum blowers larger than 1.7 HP and produce pressures greater than 135 inches of water.

Telescoping front drain tray for catching water running off the calibration tool. The tray expands from 4 to 12 inches {102 mm to 305 mm}.

MT VACUUM SIZING TANKS



MODEL	MT104					MT105			
TANK STYLE	104-7-2	104-10-3	104-13-3	104-16-4	104-22-5	105-7-2	105-10-3	105-16-4	105-22-5
Performance characteristics	up to 2 in. {50 mm}					up to 4.5 in. {125 mm}			
Tube/profile capacity	1.7 Hp vacuum / 2 Hp water					1.7 Hp vacuum / 2 Hp water			
Vacuum blower / Water pump									
Number of compartments	2	3	3	4	5	2	3	4	5
3 ft. / 6 ft. / 1 ft. seal	0 / 1 / 1	1 / 1 / 1	0 / 2 / 1	1 / 2 / 1	1 / 3 / 1	0 / 1 / 1	1 / 1 / 1	1 / 2 / 1	1 / 3 / 1
Dimensions inches {mm}									
A - Overall height	84 {2134}	84 {2134}	84 {2134}	84 {2134}	84 {2134}	84 {2134}	84 {2134}	84 {2134}	84 {2134}
B - Height to centerline [†]	42 {1067}	42 {1067}	42 {1067}	42 {1067}	42 {1067}	42 {1067}	42 {1067}	42 {1067}	42 {1067}
C - Overall length	108 {2743}	144 {3658}	180 {4572}	216 {5486}	288 {7315}	108 {2743}	180 {4572}	216 {5486}	288 {7315}
D - Tank length feet {mm}	7 {2134}	10 {3048}	13 {3962}	16 {4877}	22 {6705}	7 {2134}	13 {3962}	16 {4877}	22 {6706}
E - Overall width	7 {2134}	48.5 {1232}	48.5 {1232}	48.5 {1232}	48.5 {1232}	48.5 {1232}	48.5 {1232}	48.5 {1232}	48.5 {1232}
Tank compartment width	12 {306}	12 {306}	12 {306}	12 {306}	12 {306}	12 {306}	12 {306}	12 {306}	12 {306}
Tank compartment height	8 {203}	8 {203}	8 {203}	8 {203}	8 {203}	12 {306}	12 {306}	12 {306}	12 {306}
Weight lb {kg}									
Shipping	1500 {680}	1800 {816}	2200 {998}	2800 {1270}	3500 {1587}	1500 {680}	2200 {998}	2800 {1270}	3500 {1587}
Electrical requirements Full load amps [‡]									
240V/3 phase/50-60 Hz	12.9					12.9			
480V/3 phase/50-60 Hz	6.5					6.5			
Water requirements	City, tower or chiller water; main supply line 1 inch NPT fitting								

MODEL	MT107		MT109	
TANK STYLE	107-17-4	107-23-5	109-17-4	109-23-5
Performance characteristics				
Tube/profile capacity	up to 6.625 in. {168 mm}		up to 8.625 in. {219 mm}	
Vacuum blower / Water pump	5 Hp / 2 Hp		5 Hp / 2 Hp	
Number of compartments	4	5	4	5
4 ft. / 6 ft. / 1 ft. seal	1 / 2 / 1	1 / 3 / 1	1 / 2 / 1	1 / 3 / 1
Dimensions inches {mm}				
A - Overall height	84 {2134}	84 {2134}	84 {2134}	84 {2134}
B - Height to centerline [†]	42 {1067}	42 {1067}	42 {1067}	42 {1067}
C - Overall length	228 {5791}	300 {7620}	228 {5791}	300 {7620}
D - Tank length feet {mm}	17 {5182}	23 {7010}	17 {5182}	23 {7010}
E - Overall width	48.5 {1232}	48.5 {1232}	48.5 {1232}	48.5 {1232}
Tank compartment width	14 {356}	14 {356}	16 {406}	16 {406}
Tank compartment height	14 {356}	14 {356}	16 {406}	16 {406}
Weight lb {kg}				
Shipping	2900 {1315}	3600 {1633}	3000 {1367}	3800 {1724}
Electrical requirements Full load amps [‡]				
240V/3 phase/50-60 Hz	12.9		12.9	
480V/3 phase/50-60 Hz	6.5		6.5	
Water requirements	City, tower or chiller water; main supply line 1 inch NPT fitting			

SPECIFICATION NOTES:

These tables define standard configurations only. Specifications can change without notice. Contact a Conair representative for the most current information.

* You will need a V-groove caster adapter if you have rails that are not spaced 25 inches (635 mm) apart. Adapters are available for rails with centerline spacing of 22 to 25 inches (559 to 635 mm).

† Centerline height is adjustable ± 2 inches (50.8 mm).

‡ Amp draws will increase for optional pump configurations.