

SURE CUT ROTARY KNIFE CUTTER (SC-5)

Model SC-5

ONE CUTTER FOR ALL APPLICATIONS

The Conair Sure Cut Rotary Knife Cutter offers excellent versatility for processors who need one cutting system for a variety of applications. This cutter is essential for processors who face one or several product changes a day. The Sure Cut can go from cutting small parts at high line speeds to cutting extremely large tubes and profiles. In fact, the Sure Cut cutter can handle parts so large, that a saw would have been required previously.

The front-mounted control allows easy setup and monitoring. The repeatability feature ensures consistent cuts.

HIGHEST CUTTING TORQUE FOR LARGE PROFILES AND TUBES

To provide optimum versatility, the Sure Cut employs a 24-inch diameter flywheel, uniquely mounted below the cutter bushings.

The size of the flywheel offers unmatched blade surface speed and cutting torque. Blade speeds are adjustable up to 300 RPM and can be modified easily to obtain clean, square cuts. A multiple-blade mounting system allows you to add blades to achieve higher cutting rates.

With the optional blade lubrication system, clean, accurate, quality cuts are consistently maintained.

A sliding observation window provides for easy process monitoring. The discharge chute efficiently directs product away from the cutter. A discharge conveyor and automatic part ejection systems are available as options.

■ Cut capacity up to 4 x 7 inches

Cut tube up to 5-1/4 inches in diameter or profiles as large as 4 x 7 inches while essentially eliminating part size variations. The position-controlled servo drive provides variable speed and repeatable cut accuracy.

■ Up to 300 cuts per minute

The SC-5 can achieve up to 150 cuts/minute on demand with one blade. Blade speeds are adjustable up to 300 RPM, and multiple-blade mounting system lets you add blades to increase cutting rates.

■ All new operator control

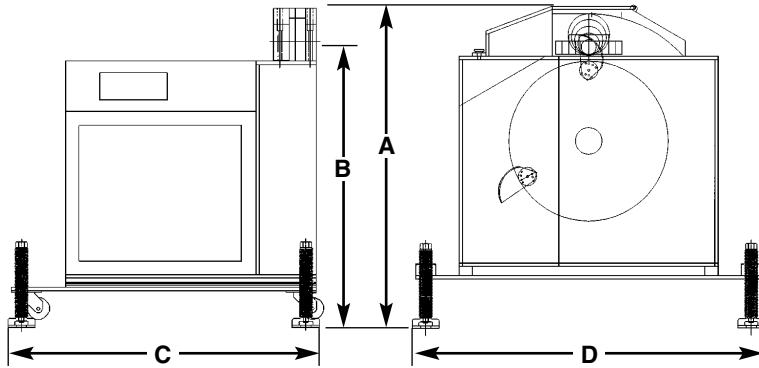
The operator control provides an intuitive user-friendly method to interface the Conair Sure Cut Rotary Knife Cutter. The control consists of soft, numeric and fixed function keys, making it very easy to operate.

■ Reduced maintenance costs

The heavy-duty positional servo drive system, with planetary gear reduction, minimizes the maintenance and downtime associated with clutch/brake cutters.



SURE CUT ROTARY KNIFE CUTTER (SC-5)



MODELS	SC-5
Performance characteristics	
Extruder capacity in. {mm}	
Tube diameters	2.25 - 5.25 {57 - 133}
Profile dimensions	2x4 - 2x10, 4x7 {51x102 - 51x254, 102x178}
Blade drive motor	4.6 Hp {3.4kW}
Feed direction	right>left
Dimensions in. {mm}	
A - Height	47 {1194}
B - Height to centerline	40 ±2 {1016 ±50.8}
C - Length	44 {1118}
D - Width	52 {1321}
Voltage/phase/frequency	230 V/3/60 Hz Or 460 V/3/60 Hz
Cutter control	Red Lion {CL0/FM4}

- 24-inch flywheel
- Up to 150 cuts/minute on demand with one blade
- Blade speeds adjustable to 300 RPM
- Surface speeds to 0.438 inches per millisecond
- Heavy-duty positional AC brushless servo drive
- 10:1 planetary gear head reducer
- 3,000 pulse bi-directional encoder

FEATURES/OPTIONS



The standard control:

- Large easy-to-read displays
- Five modes of operation: Timer, Encoder, End Sense, Flywheel and Follower
- Soft Keys allow the operator to select different functions
- Numeric keys permits data entry for the operator.
- Fixed function keys contain universal symbols and text.

