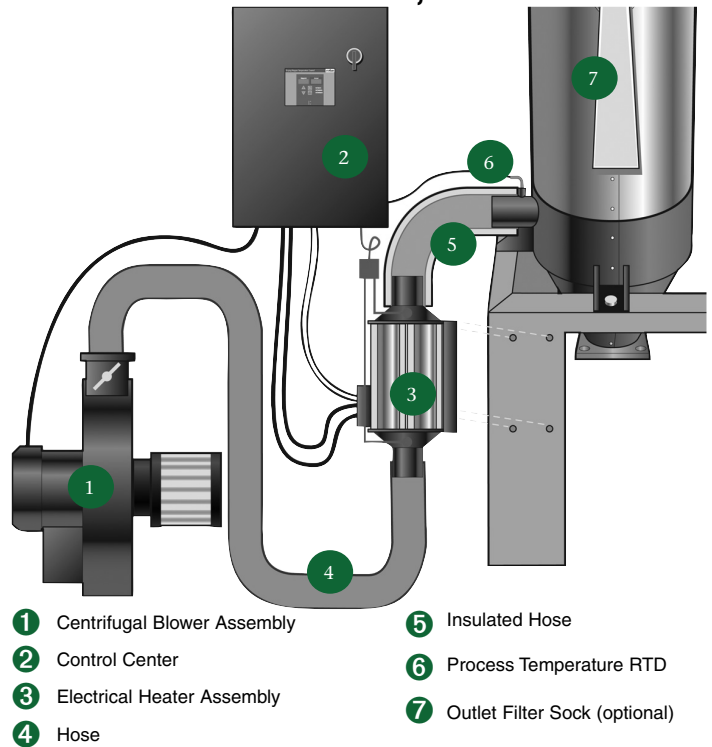


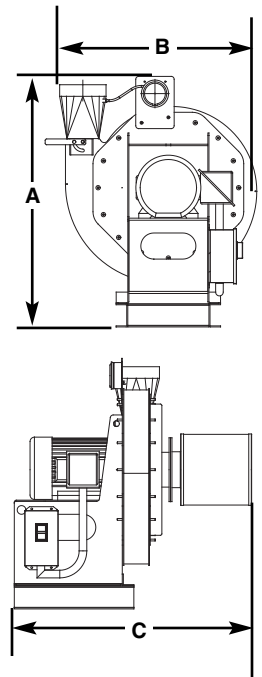
**HAD MODELS, 600 - 5000**

- **Ideal for preheating non-hygroscopic pellets**  
Removes surface moisture.
- **Modular construction**  
Adapts easily to every plant environment.
- **Available in five models**  
Throughput ranges of 600 through 5,000 lb/hr.
- **Temperatures up to 250°F**
- **Performance guaranteed**



**HAD BLOWER SPECIFICATIONS**

Hot Air Dryer model (HAD)	600	800	1000	1600	2400	3200	5000
RECOMMENDED MODEL HTC*	HTC-30B†	HTC-30B†	HTC-30A†	HTC-60A†	HTC-90A†	HTC-120A†	HTC-120A†
<b>Performance characteristics</b>							
Flow rate cfm	300	400	500	800	1200	1600	2500
Disc. pressure @ flow rate inches WC‡	25	32	30	30	28	30	33
{mm} WC‡	{635}	{813}	{762}	{762}	{711}	{762}	{838}
Motor Hp kW	5 {3.7}	7.5 {5.6}	7.5 {5.6}	10 {7.5}	15 {11.2}	25 {18.6}	
<b>Dimensions inches {cm} and weight lb {kg}</b>							
Outlet size selection (OD)	5	5	8	8	8	12	
A - Height	42 {107}	42 {107}	42 {107}	42 {107}	42 {107}	42 {107}	42 {107}
B - Width	33 {84}	33 {84}	33 {84}	33 {84}	33 {84}	33 {84}	33 {84}
C - Length	39 {99}	39 {99}	42 {107}	42 {107}	80 {203}	82 {208}	
<b>Weight</b>							
Installed weight lb {kg}§	250 {113}	320 {145}	380 {172}	500 {227}	700 {317}	900 {408}	
<b>Voltage full load amps**</b>							
400V/3 phase/50 Hz	9.1	13.2	13.2	16.8	25.2	40.8	
460 V/3 phase/60 Hz	7.6	11.0	11.0	14.0	21.0	34	
575 V/3 phase/60 Hz	6.1	9.0	9.0	11.0	17.0	27	
<b>Noise level††</b>							
with standard soundproofing	< 90 dbA @ 5 ft.						



**SPECIFICATION NOTES:**

\* For single hopper system.

† The HTC model number reflects the kilowatts of each unit. For example, HTC-60 has a 60 kilowatt heater.

‡ The unit of measure WC is water column.

§ Weights are approximate.

\*\* Full load amps apply to the Hot Air Dryer (blower) only, see reverse side for heater amp draw.

†† Standard soundproofing will be included only when the rating exceeds 90 dbA.

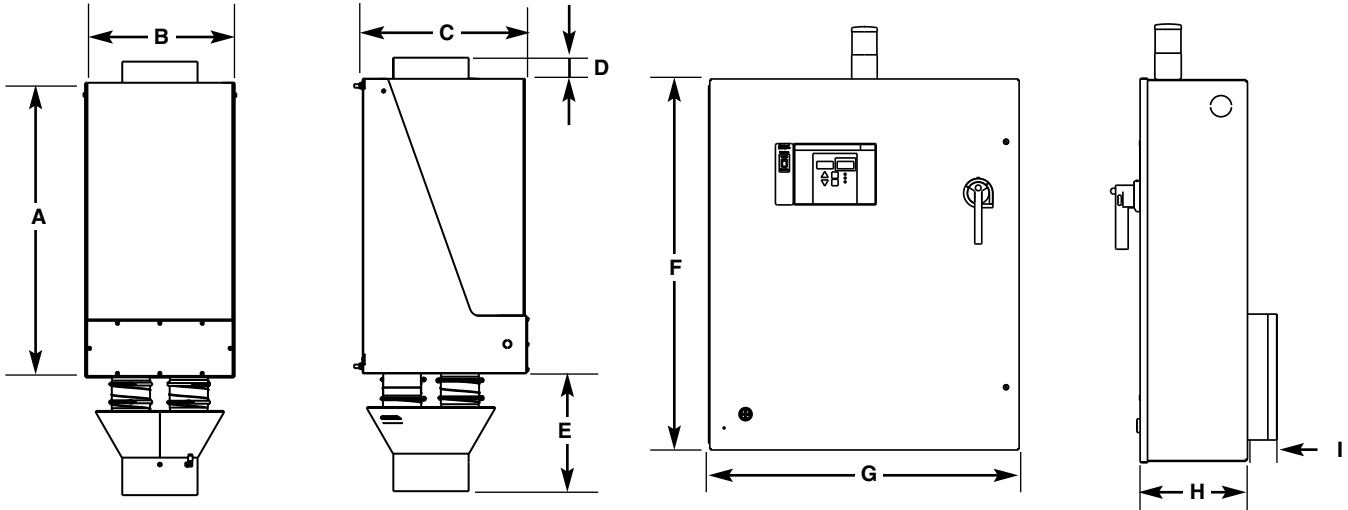
Specifications may change without notice. Consult a Conair representative for the most current information.



**SPECIFICATIONS**

**HTC FOR HAD**

**HAD MODELS, 600 - 5000**



MODEL HTC	HTC-30B*	HTC-30A*	HTC-60A*	HTC-90A*	HTC-120A*	HTC-180A*
Hot air dryer model	600 and 800	1000	1600	2400	3200	5000
<b>Performance characteristics</b>						
Temperature range	120° - 250°F {49° - 121°C}					
Flow rate cfm	300	400	500	800	1200	1600
Pressure drop@flow rate inches WC†	3.0	5.0	3.2	5.4	6.1	6.4
{mm} WC†	{76.2}	{127.0}	{81.2}	{137.2}	{155.0}	{163.0}
<b>Dimensions inches {cm} and weight lb {kg}</b>						
<b>Heater box dimensions</b>						
Inlet size (OD)	5	5	8	8	8	12
Outlet size selection (OD)	5	5	8	8	8	12
A - Height	31.4 {79.8}	27.5 {69.9}	27.5 {69.9}	32.0 {81.3}	31.0 {79.0}	34.0 {86.3}
B - Width	10.1 {25.7}	13.6 {34.5}	13.6 {34.5}	15.9 {40.4}	16.0 {40.6}	18.0 {45.7}
C - Depth	10.7 {27.2}	10.7 {27.2}	10.9 {28.0}	16.0 {40.6}	17.0 {43.2}	20.0 {50.8}
D - Height of discharge nozzle above heater box	0 {0}	5.9 {15.0}	2.0 {5.1}	1.0 {2.5}	2.0 {5.1}	1.0 {2.5}
E - Height of inlet nozzle below the heater box	8.0 {20.3}	11.4 {30.0}	8.0 {20.3}	11.0 {27.9}	13.0 {33.0}	13.0 {33.0}
Installed weight lb {kg}	37 {17}	58 {26}	78 {35}	93 {42}	102 {46}	131 {59}
<b>Control center dimensions</b>						
F - Height	24.0 {61.0}	24.0 {61.0}	24.0 {61.0}	36.0 {91.4}	48.0 {122.0}	60.0 {152.4}
G - Width	24.0 {61.0}	24.0 {61.0}	24.0 {61.0}	30.0 {76.2}	36.0 {91.4}	42.0 {106.7}
H - Depth	10.0 {25.4}	10.0 {25.4}	10.0 {25.4}	10.0 {25.4}	10.0 {25.4}	12.0 {30.5}
I - Clearance for heat sink	3.0 {7.6}	3.0 {7.6}	3.0 {7.6}	3.0 {7.6}	3.0 {7.6}	3.0 {7.6}
Installed weight lb {kg}	150.0 {68.0}	150.0 {68.0}	150.0 {68.0}	180.0 {81.6}	250.0 {113.0}	consult Conair
<b>Voltage full load amps‡</b>						
400V/3 phase/50 Hz	44	44	87	131	175	261
460 V/3 phase/60 Hz	38	38	76	114	152	227
575 V/3 phase/60 Hz	30	30	61	91	122	182

**SPECIFICATION NOTES:**

- \* The HTC model number reflects the kilowatts of each unit. For example, HTC-60 has a 60 kilowatt heater.
  - † The unit of measure WC is water column.
  - ‡ Full load amps apply to the Hopper Temperature Controller (heater) only, see reverse side for blower amp draw.
- Specifications may change without notice. Consult a Conair representative for the most current information.

