

**MOBILE SURGE BINS**

- **Wide Range Of Capacities**
- **60° Hopper Cone Ensuring Material Flow for Most Materials**
- **Stack Up To 3 Bins For Space Conservation**
- **Bottom Drain For Easy Material Removal**
- **Heavy Duty 14 Gauge Steel Construction**
- **Oversized Vacuum Ports - for Use With Suction Wands Up to 3 Inch Diameter**



Model MB44-10

---

***MOBILE STORAGE, EASY ACCESS FOR BLENDED OR VIRGIN MATERIALS***

---

Conair offers a complete line of in-plant mobile surge bins for convenient storage of a variety of materials. Stackable Conair Mobile Surge Bins accommodate your storage needs with a range of bin capacities from 10 ft<sup>3</sup> to 50 ft<sup>3</sup>.\*

For critical applications requiring a contamination-free environment, bins can be constructed in stainless steel with or without lids.

\*Usable volume based on a 30° angle of repose.

**SPECIFICATIONS**

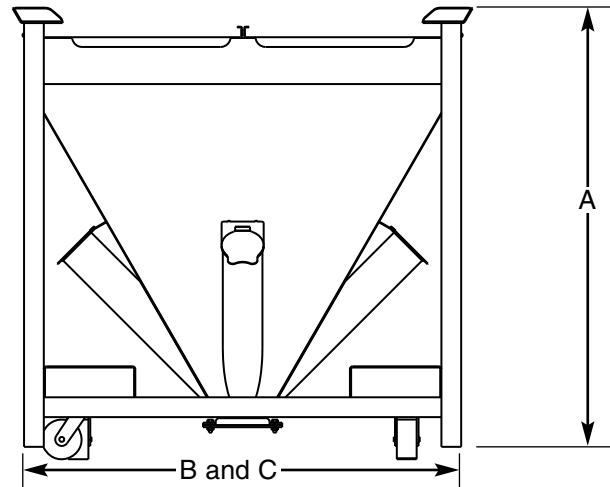
**MOBILE SURGE BINS**

**STANDARD FEATURES**

- Painted carbon steel construction
- Epoxy coated interior
- 4 inch sq. discharge with stainless steel slide gate
- Two-way fork-lift channels for easy stacking
- 60° cone for free and non-free flowing material

**OPTIONS**

- 4-way vacuum ports
- Casters\*
- 12 inch discharge opening with flange
- 1 piece, 2 piece or sliding cover
- Stainless steel construction
- Special paint
- Bag opening grate and blade



**SPECIFICATIONS**

Model	Hopper cone angle (standard)	Width/depth inches {cm} B/C	Height inches {cm} A	Capacity lb {kg}	Usable capacity† lb {kg}	Usable volume† ft³ {m³}	Shipping weight lb {kg}
MB44-10	60°	44 {112}	43.375 {110.2}	665 {302}	350 {159}	10 {0.28}	525 {238}
MB44-20	60°	44 {112}	55.375 {140.7}	1085 {492}	700 {318}	20 {0.57}	580 {263}
MB44-30	60°	44 {112}	64.375 {163.5}	1470 {667}	1050 {476}	30 {0.85}	625 {283}
MB44-40	60°	44 {112}	73.5 {186.7}	1820 {826}	1400 {635}	40 {1.1}	670 {304}
MB44-50	60°	44 {112}	82.5 {209.6}	2170 {984}	1750 {794}	50 {1.4}	720 {327}

\*Adds 1 1/4 inches {31.8 mm} to height

† Usable capacity based on a material with a bulk density of 35 lbs/ft³ {561 kg/m³} with a 30° angle of repose.