

Vacuum Style
Air Knife

STRAND DRYING IN A SINGLE PACKAGE

The Conair Strand Drying System is designed to meet the needs of your strand pelletizing extrusion line. Constructed of 304 stainless steel, our SDS offers many standard features, which help control the dewatering process of extruded strands as they exit the water bath.

LOCAL OR REMOTE LOCATION TO FREE UP FLOOR SPACE

The SDS air knives use the inlet of the pressure blower to create a vacuum across the air knife nozzle.

The complete assembly consists of the air knife nozzle, a pressure blower sized to the application, and a stainless steel condensing tank. When removed from the strands, the water vapor enters the scrubber section which removes the water from the air. The water goes to a drain while the air is released into the atmosphere.

An optional wear protection package is offered for applications of filled and reinforced polymers.

■ **Airflow**

The air slots are designed to provide balanced airflow, reduce the impact of the air on the strands being dried and allow for a more efficient use of horsepower.

■ **Nozzle location**

The nozzle can be mounted onto the blower/condenser or remotely located on a tripod frame up to 30 feet away.

■ **Construction**

The condensing tank and blower are constructed of 304 stainless steel and mounted on a movable platform that is designed for stability.

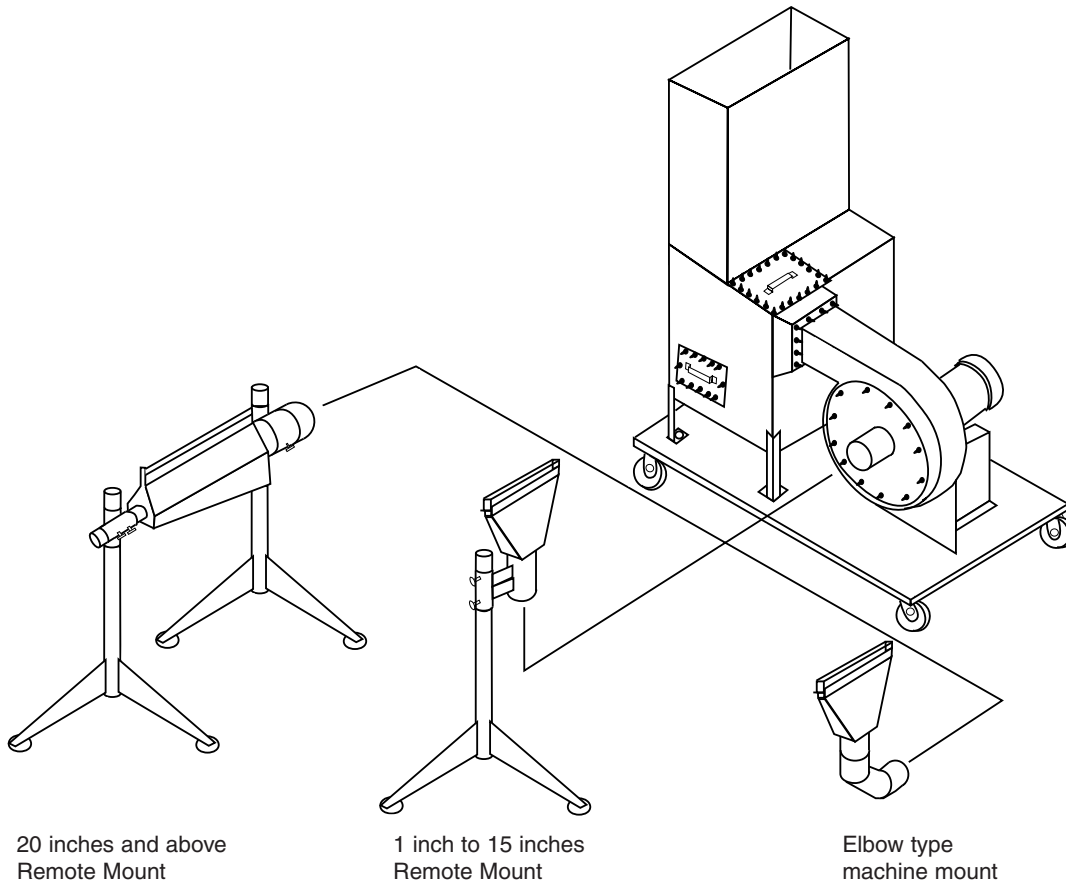
■ **Sound enclosures**

The entire unit can be supplied with a sound enclosure to reduce noise generation to acceptable levels.

SPECIFICATIONS

STRAND PELLETIZING PRODUCTS

SDS SERIES AIR KNIFE



STRAND DRYER MODEL	512-02-3		512-03-5		512-05-7			512-07-10		512-10-15	
Air nozzle selection	0603	0903	1204	1504	1805	2105	2405	2706	3006	2706	3006
Sound enclosures*	SE512-02		SE512-03		SE512-05			SE512-07	SE512-12-10	SE512-07	SE512-12-10
Blower Hp	3		5		7			10		15	
Air nozzle width in.	6	9	12	15	18	21	24	27	30	27	30
{mm}	{152.4}	{228.6}	{305}	{381}	{457}	{533.4}	{610}	{685.8}	{762}	{685.8}	{762}

SPECIFICATION NOTES:

* The standard sound enclosure is made of carbon steel. Consult factory for optional stainless steel enclosures.
 Specifications may change without notice. Check with a Conair representative for the most current information.