



CWT Series

STRAND CONDITIONING IN A CONVENIENT PACKAGE

The Conair Water Bath is designed to meet the needs of your strand pelletizing extrusion line. Constructed of 304 stainless steel, our tank offers many standard features, which help control the cooling process of extruded strands as they exit the die head.

BROAD RANGE OF STORAGE CAPACITIES AVAILABLE

The CWT series of water baths have been designed and sized for the processing of the full range of polymer types.

The optional recirculation system offers systems capable of maintaining the optimum process water temperature for their polymers.

The system consists of a water pump, heat exchanger and in-line filtration.

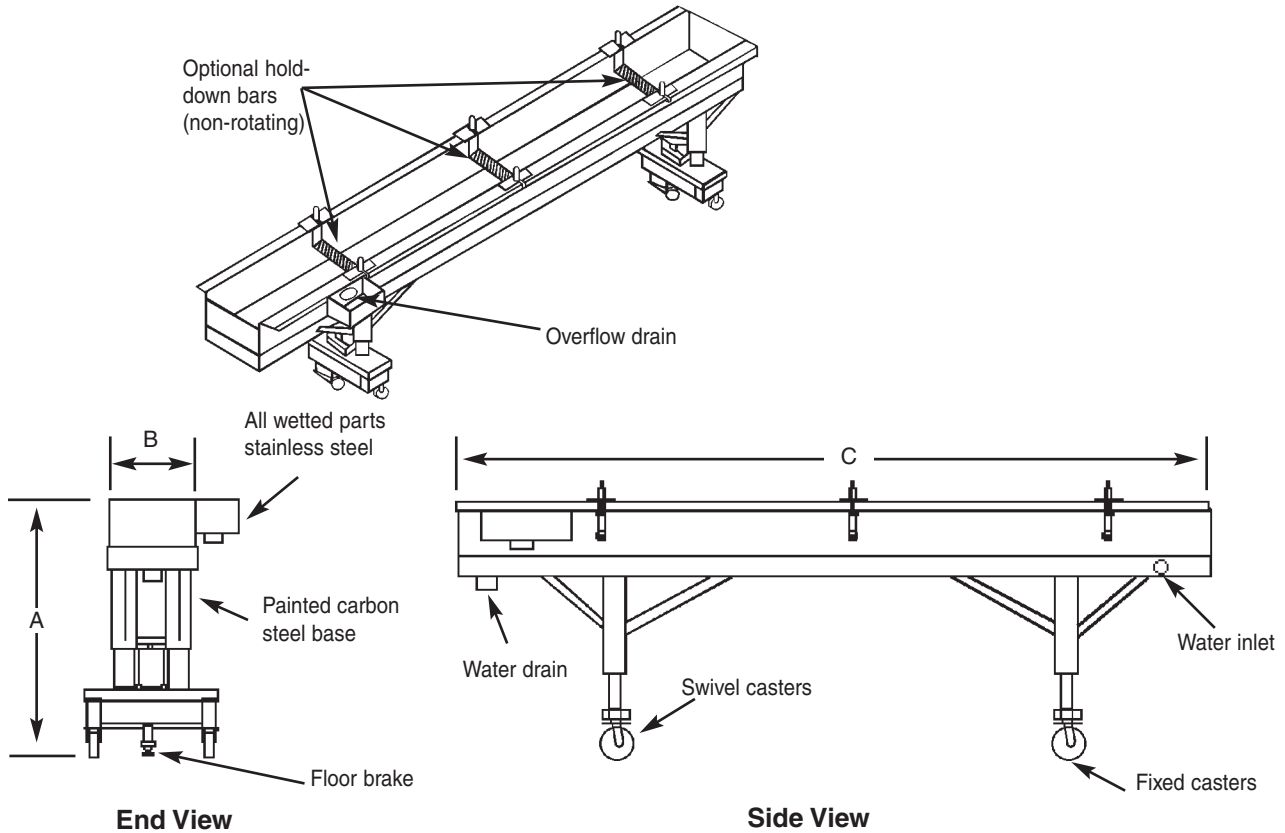
Each system is designed based on the tank size and rate of the polymers being produced.

- **Water level control**
An overflow box with a removable filter is included to aid in controlling the water level in the tank.
- **Quality construction**
The tank itself is mounted on a sturdy support frame and comes standard with steel casters for easy mobility.
- **Adjustable height**
The frame's telescoping design incorporates heavy-duty support jacks for adjusting the tank to the optimal level for a range of die heights.
- **Process connections**
Easily accessed water supply and drain ports have been designed into the tank to sufficiently maintain water levels.

SPECIFICATIONS

STRAND PELLETIZING PRODUCTS

CWT SERIES WATER BATH



MODELS	CWT-66-5	CWT-108-10	CWT-108-20	CWT-1210-10	CWT-1210-20	CWT-1210-30
Dimensions						
A - Height in. {mm}	ALL MODELS 34 - 40 {863.6 - 1016}					
B - Width in. {mm}	6 {152.4}	8 {203.2}	8 {203}	10 {254}	10 {254}	10 {254}
C - Length ft. {m}	5 {127}	10 {254}	20 {508}	10 {254}	20 {508}	30 {762}
D - Depth in. {mm}	6 {152.4}	8 {203.2}	8 {203.2}	10 {254}	10 {254}	10 {254}

MODELS	CWT-1512-10	CWT-1512-20	CWT-1512-30	CWT-2012-10	CWT-2012-20	CWT-2012-30
Dimensions						
A - Height in. {mm}	ALL MODELS 34 - 40 {863.6 - 1016}					
B - Width in. {mm}	15 {381}	15 {381}	15 {381}	20 {508}	20 {508}	20 {508}
C - Length ft. {m}	10 {254}	20 {508}	30 {762}	10 {254}	20 {508}	30 {762}
D - Depth in. {mm}	12 {305}	12 {305}	12 {305}	12 {305}	12 {305}	12 {305}

MODELS	CWT-2412-20	CWT-2412-20	CWT2412-30	CWT-3012-10	CWT-3012-20	CWT-3012-30
Dimensions						
A - Height in. {mm}	ALL MODELS 34 - 40 {863.6 - 1016}					
B - Width in. {mm}	24 {610}	24 {610}	24 {610}	30 {762}	30 {762}	30 {762}
C - Length ft. {m}	20 {508}	20 {508}	30 {762}	10 {254}	20 {508}	30 {762}
D - Depth in. {mm}	12 {305}	12 {305}	12 {305}	12 {305}	12 {305}	12 {305}

MODELS	CWT-36-12-10	CWT-36-12-20	CWT-36-12-30
Dimensions			
A - Height in. {mm}	ALL MODELS 34 - 40 {863.6 - 1016}		
B - Width in. {mm}	36 {914.4}	36 {914.4}	36 {914.4}
C - Length ft. {m}	10 {254}	20 {508}	30 {762}
D - Depth in. {mm}	12 {305}	12 {305}	12 {305}

SPECIFICATION NOTES:
 Specifications may change without notice. Check with a Conair representative for the most current information.

