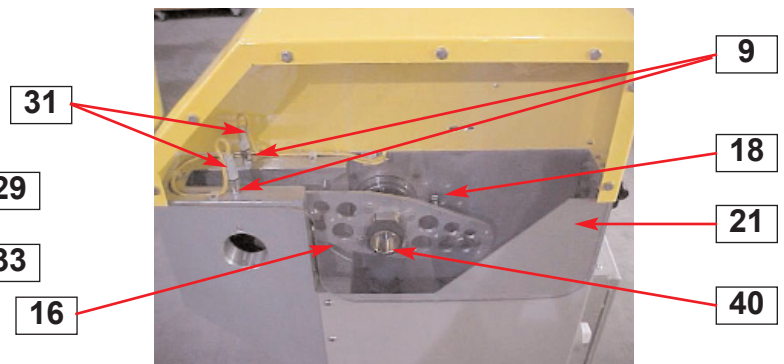
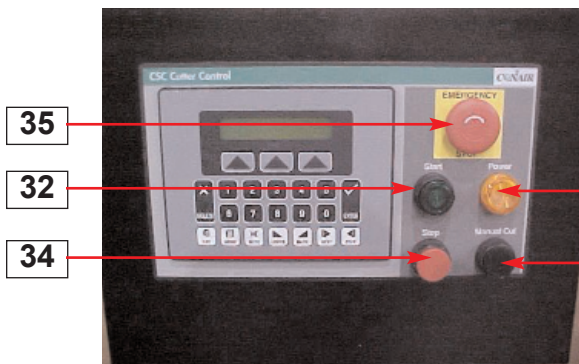


Parts Identification Guide
PIE001/0105

Servo Cutter

Model CSC

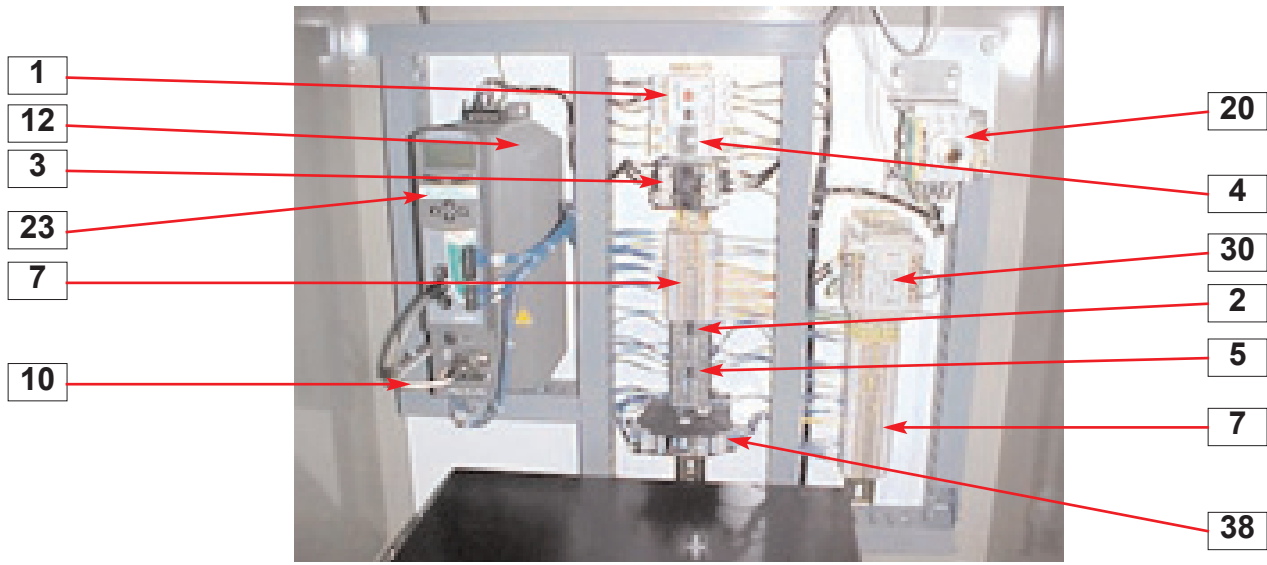




CSC

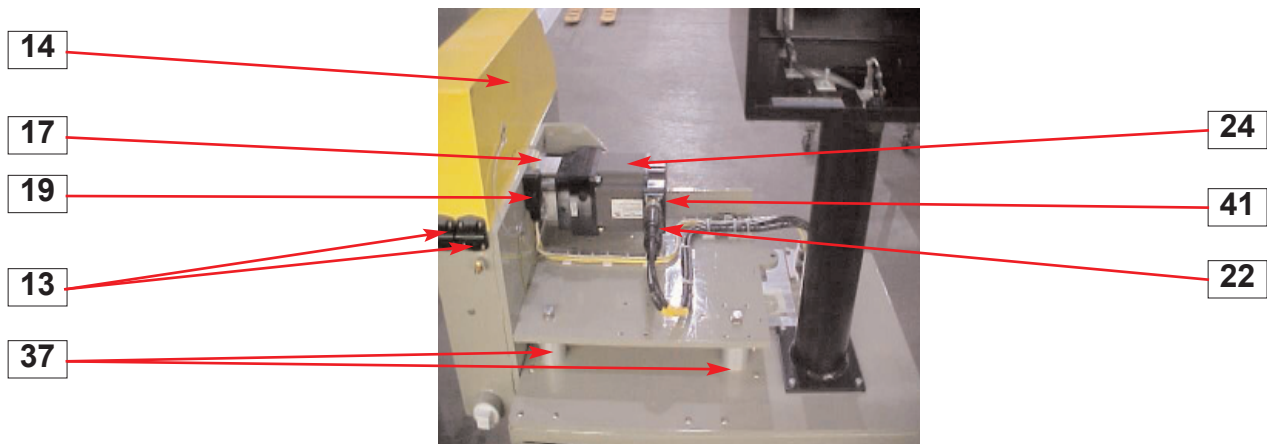
- 6. Adjustable Draw Latch
- 8. Bushing Holder Machining
- 9. Bushing Prox
- 11. Connector Cable Gland
- 15. Floor Lock Screw
- 16. Flywheel
- 18. Home Prox
- 21. Lexan Window Detail
- 25. Motor Cover
- 27. Pad - Floor Lock (Rubber)

- 28. Pad - Floor Painted
- 29. Pilot Light - Amber
- 31. Prox Cable
- 32. Push Button - ILL Green
- 33. Push Button Black Flush
- 34. Push Button Red Ext.
- 35. E-Stop Button
- 36. Rigid Caster
- 39. Swivel Caster
- 40. Trantorque



CSC

- | | |
|-----------------------------------|------------------------------|
| 1. 1 C Bar Manual Motor Protector | 12. Control, Srvo Amp |
| 2. 1 C R or Relay | 20. ISW or Disc. Switch |
| 3. 1 M or Contactor | 23. Motion Module |
| 4. 2 C B or Breaker C/D | 26. Optional Iso Transformer |
| 5. 2 C R or Relay | 30. Power Supply |
| 7. Block Terminal | 38. Safety Controller |
| 10. Cab 6 or Serial Cable | |



CSC

- | |
|-----------------------------------|
| 13. Door Hinge |
| 14. Flip up Guard Window |
| 17. Gear Reducer |
| 19. ILS Limit Switch |
| 22. Lower Cable is Motor Cable |
| 24. Motor - Servo |
| 37. Rigid Servo Stand-Off |
| 41. Upper Cable is Feedback Cable |